

# AL-60-HD

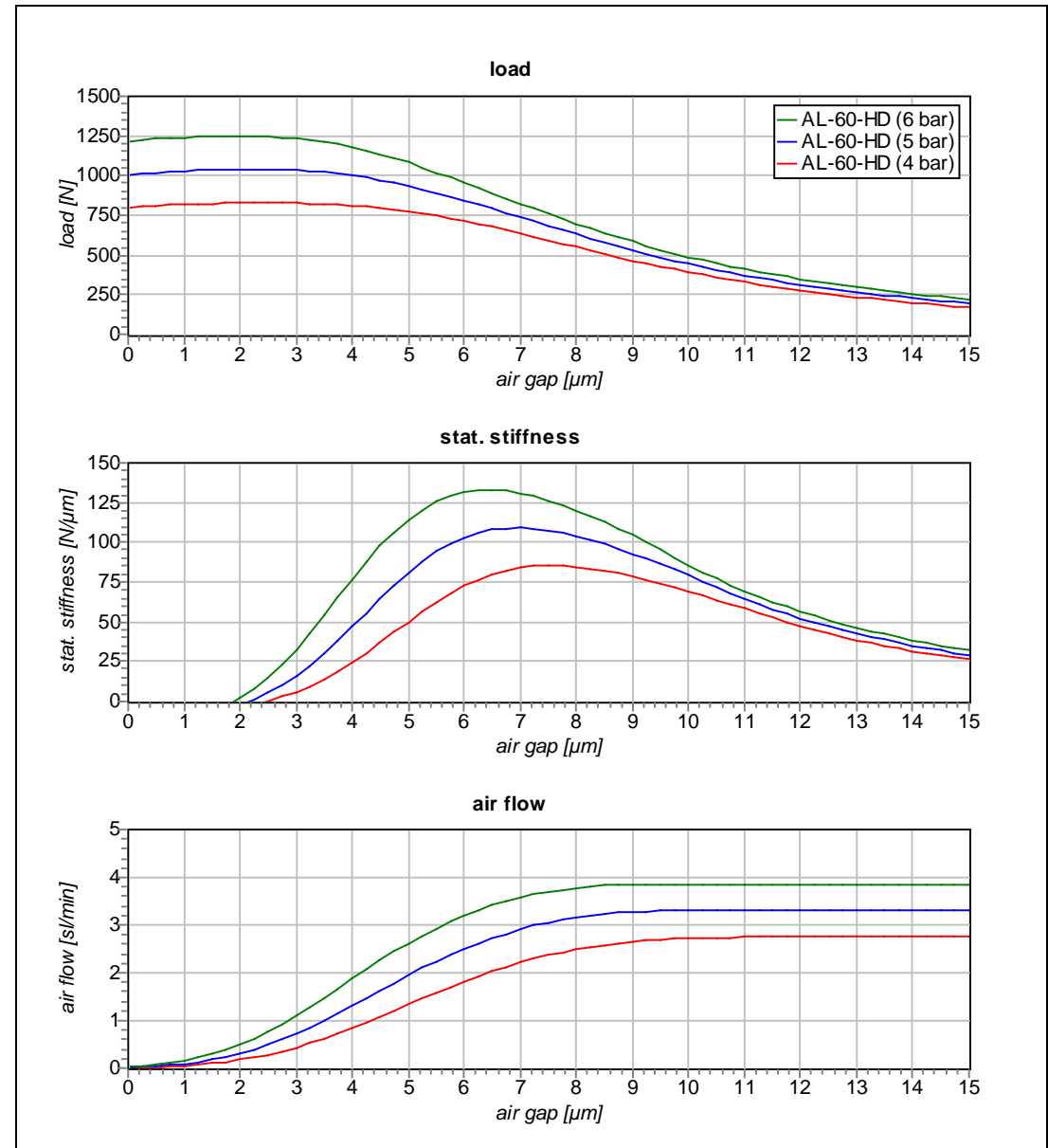


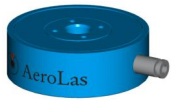
air bearing data at	4 bar	5 bar	6 bar
recommended max. load	→ 600 N	800 N	1000 N
recommended preload	→ 400 N	550 N	700 N
gap <sup>1</sup>	→ 10 μm	9 μm	8 μm
static stiffness <sup>1</sup>	→ 70 N/μm	95 N/μm	120 N/μm
max. static stiffness	→ 85 N/μm	110 N/μm	135 N/μm
tilt stiffness <sup>1,2</sup>	→ 0.3 Nm/μm	0.45 Nm/μm	0.6 Nm/μm
unrestricted airflow	→ 2.75 sl/min	3.3 sl/min	3.85 sl/min

specification	
weight	→ 112 g
guiding surface	→ Ra 0.2
air quality	→ attachment
air pressure	→ max. 9 bar
accessories	→ bolt AL-60+B joint AL-60+G piston AL-60+K

<sup>1</sup> at recommended load  
<sup>2</sup> measured at the edge of the bearing

**application**  
high dynamic





# AL-60-HS

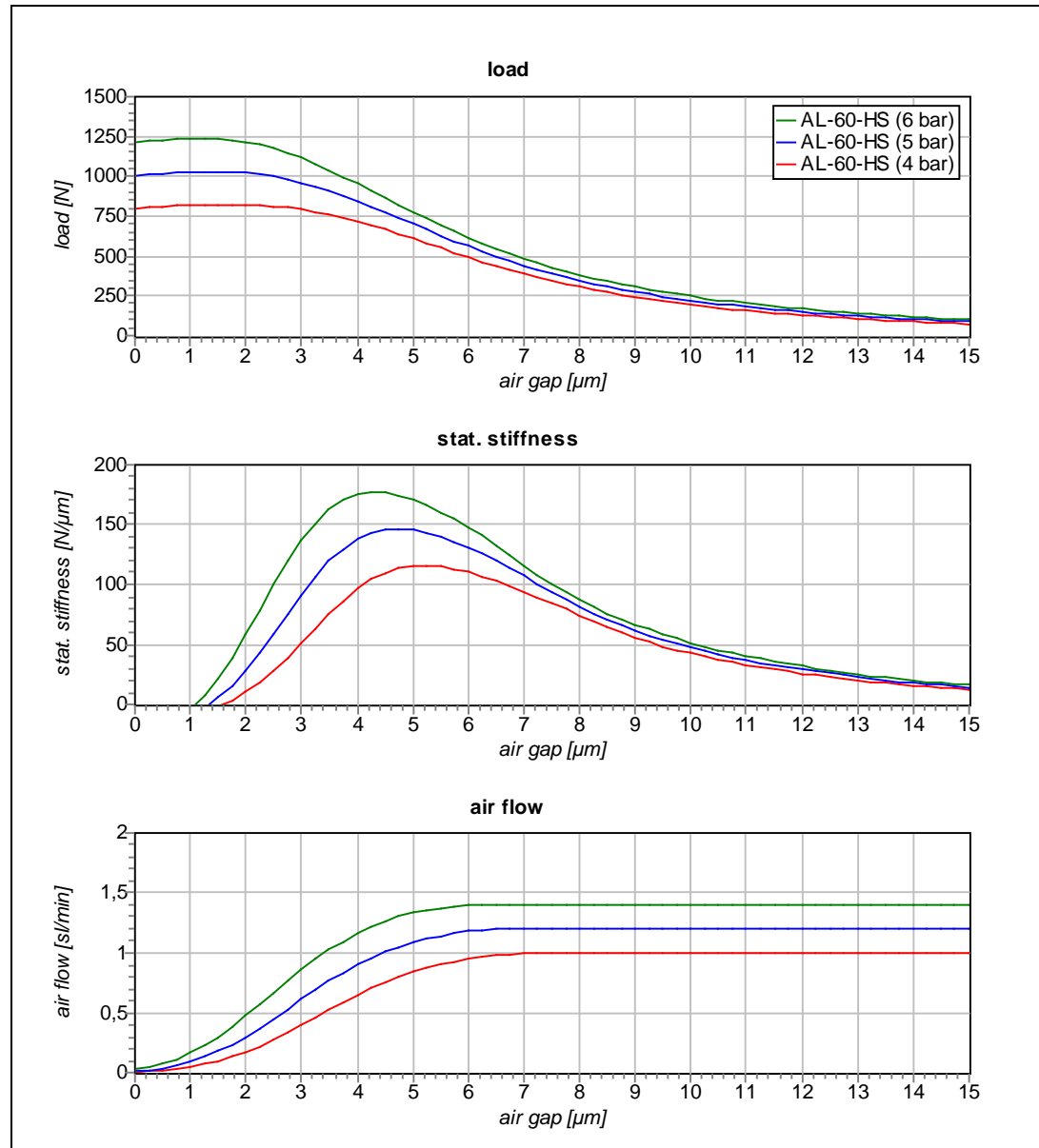


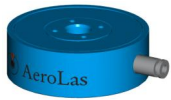
air bearing data at	4 bar	5 bar	6 bar
recommended max. load	→ 600 N	800 N	1000 N
recommended preload	→ 500 N	630 N	760 N
gap <sup>1</sup>	→ 6 μm	5.5 μm	5 μm
static stiffness <sup>1</sup>	→ 110 N/μm	140 N/μm	170 N/μm
max. static stiffness	→ 115 N/μm	145 N/μm	175 N/μm
tilt stiffness <sup>1,2</sup>	→ 0.28 Nm/μm	0.37 Nm/μm	0.46 Nm/μm
unrestricted airflow	→ 1 sl/min	1.2 sl/min	1.4 sl/min

specification	
weight	→ 112 g
guiding surface	→ Ra 0.2
air quality	→ attachment
air pressure	→ max. 9 bar
accessories	→ bolt AL-60+B joint AL-60+G piston AL-60+K

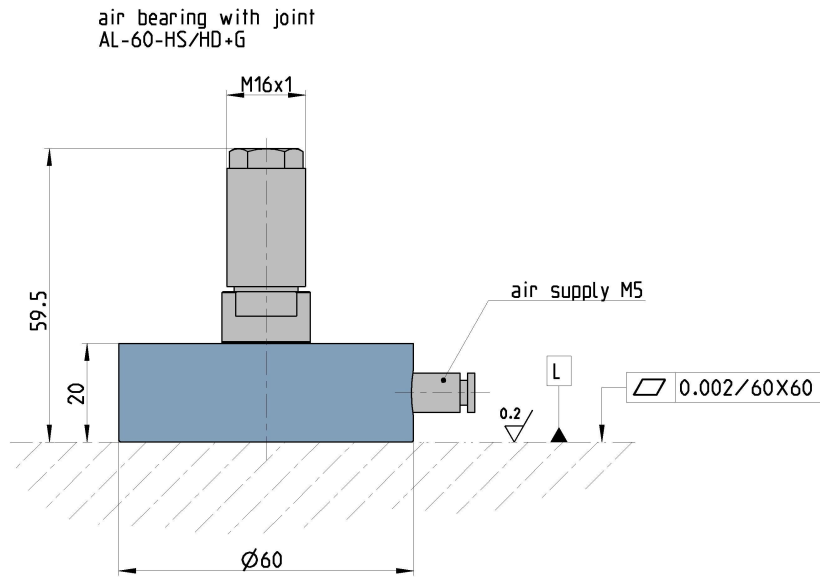
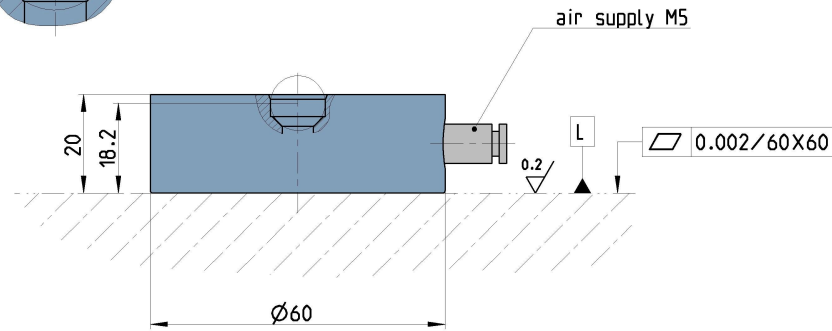
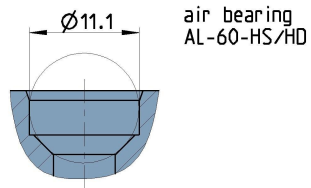
<sup>1</sup> at recommended load  
<sup>2</sup> measured at the edge of the bearing

**application**  
high stiffness





# AL-60-HS/HD options



L= sliding surface

air bearing with bolt  
AL-60-HS/HD+B

